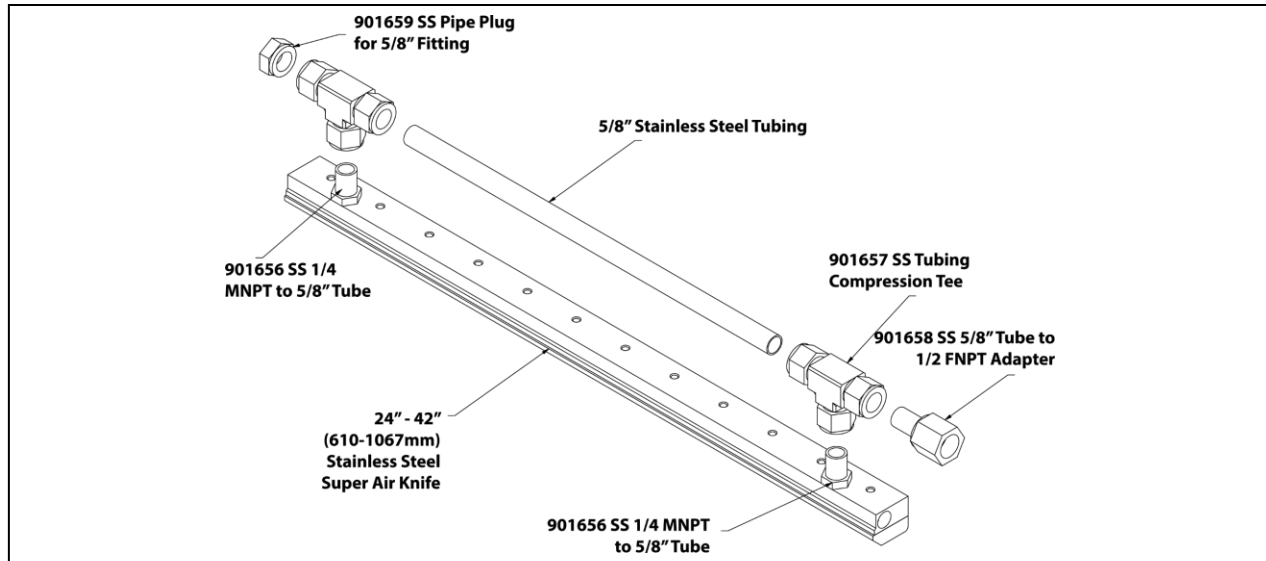


24 TO 42 INCH STAINLESS STEEL SUPER AIR KNIFE PLUMBING KITS INSTALLATION & MAINTENANCE

The Stainless Steel Super Air Knife Plumbing Kits are used to interconnect the compressed air inlets on the bottom of any single Stainless Steel Super Air Knife that has a length of 24" (610mm) to 42" (1067mm). The components of these kits have been sized appropriately to obtain best performance from the Stainless Steel Super Air Knife (maintain uniform airflow across the entire length). Stainless Steel Super Air Knives less than 24" (610mm) can be supplied at one compressed air inlet. Tools Required: 1", 15/16" and 11/16" wrenches.



Pipe thread sealant should be applied to 901656 inlet threads (small packet included). Avoid getting the sealant on the inside diameter of the fitting so it does not enter into the Super Air Knife.

STEP 1 – Install (2) Model 901656 SS 1/4 NPT x 5/8" tube adapters into the compressed air inlets on the bottom of the Stainless Steel Super Air Knife. Tighten using 11/16" wrench.

STEP 2 – Loosen but don't remove the hex fittings on each Model 901657 SS 5/8" tube tee. Slide them on each end of the 5/8" tube as shown above. Do not tighten the hex fittings at this time.

STEP 3 – Install the tube and tee assembly from STEP 2 onto the Model 901656s that are already installed in the Super Air Knife as shown above.

STEP 4 – Install Model 901658 SS 1/2 NPT x 5/8" tube adapter into one of the remaining open hex fittings on Model 901657, and replace the remaining open connection with Model 901659 plug.

STEP 5 – While holding the Model 901657 body steady with a 15/16" wrench, tighten all 1" hex fittings one 1/4 turn past finger-tight. Your Super Air Knife is now ready for installation.

If you have any questions or problems, please contact:

COMPRESSED AIR AUSTRALIA PTY LTD

GPO Box 2792, Darwin NT 0801, Australia

Telephone: 1300 787 688

Int'l Telephone: +61 8 8983 3999

Fax: 1300 787 637

Int'l Fax: +61 8 8983 3900

Email: info@caasafety.com.au

Website: www.caasafety.com.au